

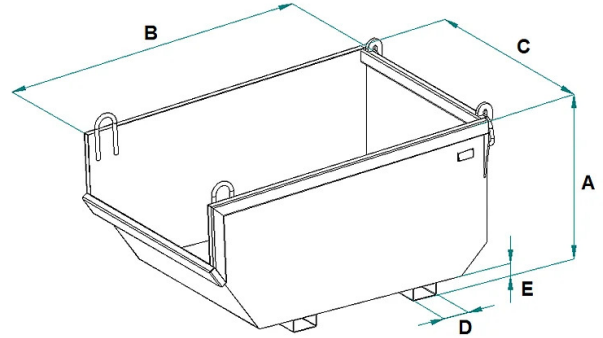
## DATA SHEET - CRANELIFT BUILDERS SKIP



**M-50D  
M-75D  
M-99D**



**M-150D  
M-200D  
M-300D**



Code	Capacity (kg)	Capacity (L)	Weight (kg)	Dimensions (mm)		
				A	B	C
M-50D	1000	500				
M-75D	1500	750	100	760	1520	1080
M-99D	2000	1000	150	860	1680	1280
M-150D	3000	1500	190	860	1700	1340
M-200D	4000	2000	465	1126	2070	1412
M-300D	6000	3000	550	1300	2350	1762

## DATA SHEET - CRANELIFT BUILDERS SKIP

---

Boat skips




### Cranelift Builders Skip

#### Bucket for debris and aggregates with 4 lifting points and forklift pockets

The M-D model is a bucket specifically designed for lifting and transporting aggregates and construction waste. This bucket features four lifting points, making it extremely stable during lifting and handling operations. It is also designed to be moved with telescopic handlers or forklifts. We offer various sizes and capacities to meet the different needs of our customers. The specification table clearly indicates the available options in terms of sizes and capacities. The M-D bucket is constructed with high-quality materials and undergoes rigorous quality controls to ensure its strength and durability over time. Additionally, it is designed to require minimal maintenance due to its simple construction design. As with all our products, the M-D bucket complies with European safety standards, including UNI EN ISO 12100, UNI EN 13854, ISO 8686, UNI EN 10027, and UNI EN 10204. We also provide a comprehensive documentation package, including a metal ID plate, a certificate of conformity, and a user and maintenance manual. Furthermore, we offer the standard one-year warranty coverage in accordance with the European Directive.

#### Application sectors

 Construction