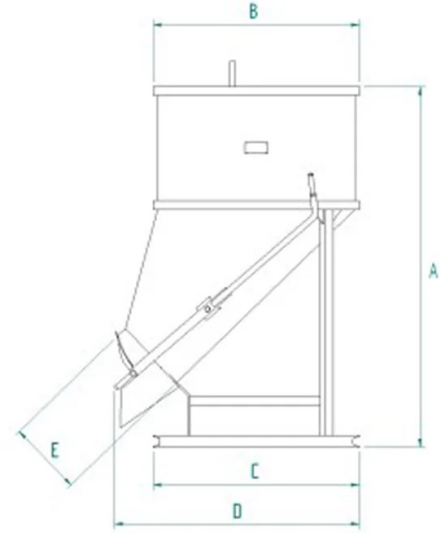


DATA SHEET - CONICAL CONCRETE BUCKET WITH BOTTOM-SIDE DISCHARGE AND GEARED OPENING



Code	Capacity (kg)	Capacity (L)	Weight (kg)	Dimensions (mm)				
				A	B	C	D	E
BF-30	780	300	100	1185	935	935	1110	300
BF-40	1040	400	110	1350	935	935	1110	300
BF-50	1300	500	115	1510	935	935	1110	300
BF-75	1950	750	205	1781	1170	1170	1390	420
BF-99	2600	1000	220	2041	1170	1170	1390	420
BF-150	3900	1500	420	2025	1492	1408	1600	420
BF-200	5200	2000	480	2375	1492	1408	1600	420

DATA SHEET - CONICAL CONCRETE BUCKET WITH BOTTOM-SIDE DISCHARGE AND GEARED OPENING

Concrete buckets




Conical concrete bucket with bottom-side discharge and geared opening

Concrete bucket with side discharge and lever opening

Introducing the BF model, a side discharge concrete bucket for cranes, a versatile option designed to meet the specific needs of your construction projects. Equipped with a side discharge and lever-operated opening, the BF model offers precise control during the concrete discharge process thanks to a guillotine closure. You can request the BF model with a base equipped for lifting with a forklift or telehandler, model BF-ST, or request the application of a rubber hose, model BF-T. Available in various sizes and capacities, as indicated in the table below, the BF model can be customized to meet the specific needs of your project. All our buckets are built and tested according to the rigorous standards of UNI EN ISO 12100, UNI EN 13854, ISO 8686, UNI EN 10027, and UNI EN 10204, ensuring the highest quality and safety. Each product is accompanied by a metal ID plate, certificate of conformity, and user and maintenance manual. Our commitment to quality is also reflected in the one-year warranty coverage, in compliance with the European Directive.

Application sectors

 Construction