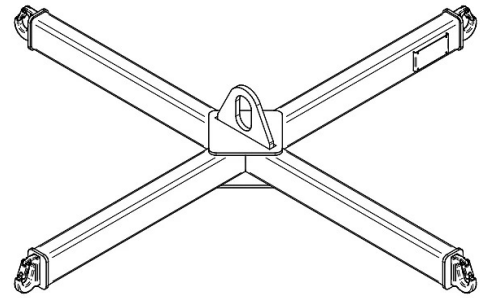
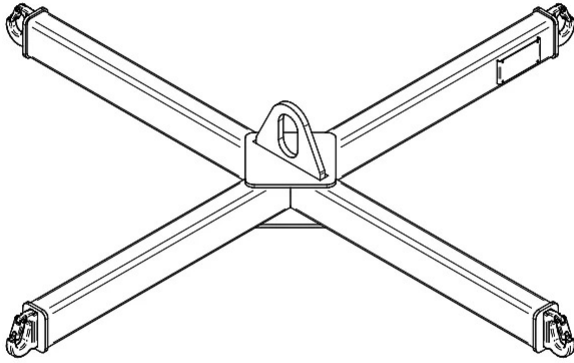


## DATA SHEET - FIXED H LIFTING BEAM

---



Code
BIL-BB

**DATA SHEET - FIXED H LIFTING BEAM**

---

**Lifting beams**

## Fixed H lifting beam

### Lifting beam for handling Big Bags

Discover the versatility of our big bag lifting beam, the ideal solution for safely lifting and moving bulk bags. This device is specially designed for use with an overhead crane, utilizing a convenient central upper attachment. With its 4 lifting points, the lifting beam securely anchors the big bag, allowing for safe transport from one workstation to another. Its compact structure and small dimensions make it a space-saving choice in height, ensuring effective workspace management. Bulk bags are widely used for storing and handling compact materials, powders, micro-granules, and processed industrial products. The big bag lifting beam serves as the ideal transport vehicle, offering convenience and safety at every stage of the operation. All equipment is CE certified and supplied complete with an instruction and maintenance manual. Upon request, we can provide a calculation report signed by a qualified technician.

### Application sectors

 **Lifting**