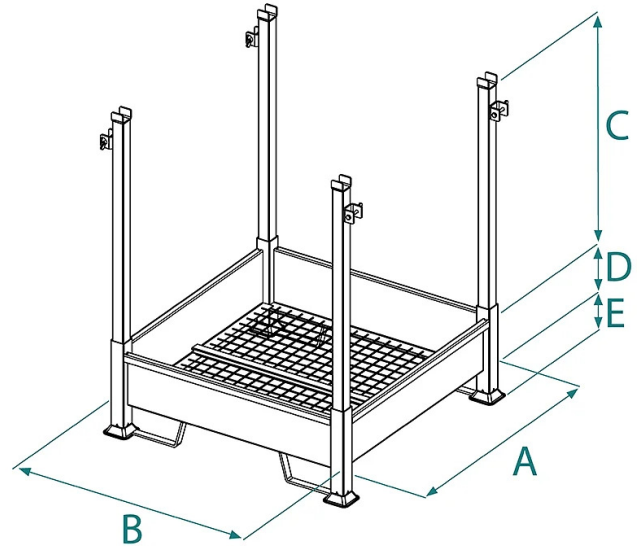


DATA SHEET - GALVANIZED BIG BAG FRAME SUPPORT



Code	Capacity (kg)	Weight (kg)	Dimensions (mm)				
			A	B	C	D	E
PBB-ZN	1000	80	1060	1060	1025	230	120

DATA SHEET - GALVANIZED BIG BAG FRAME SUPPORT

Crane accessories




Galvanized Big Bag frame support

Galvanized container for storage of Big Bags

Introducing our galvanized container, specifically designed for the safe storage of Big Bags. This accessory offers an efficient solution for containing and protecting powdered or bulk materials during handling and transportation, especially in industrial environments. Key Features: Galvanized Structure: Built with a sturdy galvanized structure, the container offers superior corrosion resistance, ensuring durability even in more aggressive environments. Compatibility with Big Bags: The size of the container is designed to securely accommodate and contain Big Bags, providing a suitable solution for storage and transportation. Maneuverability: Equipped with lifting points at the base, the container facilitates handling operations with a forklift. Detachable Frame: The detachable frame facilitates the transportation and storage of the container when not in use, optimizing space. Grated Base and Bottom Feet: The grated base and bottom feet ensure optimal stability and prevent direct contact with the ground, protecting the contents inside the Big Bags. It is recommended to follow specific safety instructions and guidelines for the correct use of the container during loading and unloading of Big Bags.

Application sectors

 Construction  Industry