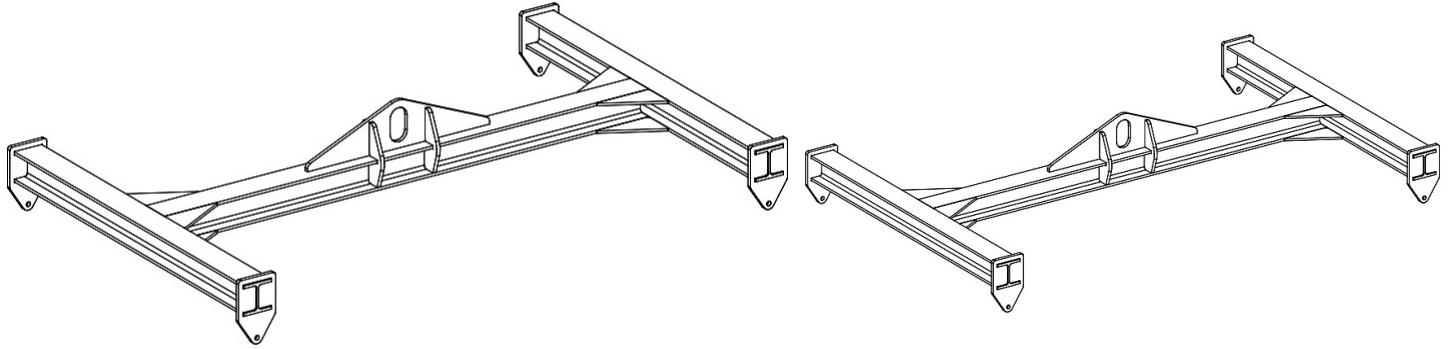


## DATA SHEET - FIXED H LIFTING BEAM

---



**Code**

BIL-\*/\*\_\*H

## DATA SHEET - FIXED H LIFTING BEAM

---

Lifting beams



### Fixed H lifting beam

#### Fixed H lifting beam with main and head beams

H-frame lifting beams, consisting of a main beam and two end beams welded to the main beam. The two end beams with fixed lower attachments can be welded either under the main beam or on the top to reduce the overall height. For connecting the lifting beam to the lifting device, there is a central attachment point consisting of a suspension loop, appropriately sized according to the capacity. Upon request, it is possible to further customize the solution by integrating two or four upper attachment points for better load balancing. This solution allows for the lifting of loads with fixed attachment points (such as skids, containers, or platforms) so that the attachment chains remain vertical, ensuring stability and safety during lifting. The load bar can be customized with multiple lower attachments on both the main beam and end beams, thus providing greater flexibility of use. All equipment is CE certified and supplied complete with an instruction and maintenance manual. Upon request, we can provide a calculation report signed by a qualified technician.

#### Application sectors

 Lifting