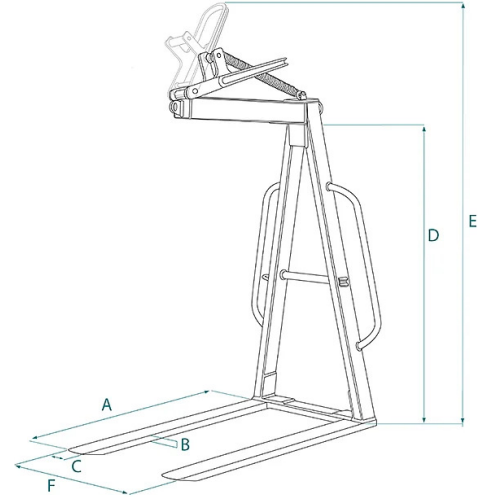


## DATA SHEET - GALVANIZED SELF BALANCING CRANE FORK



Code	Capacity (kg)	Weight (kg)	Dimensions (mm)					
			A	B	C	D	E	F
MBL-A18ZN H120	1800	130	1000	60	100	1200	2050	680
MBL-A18ZN H140	1800	135	1000	60	100	1400	2250	680
MBL-A18ZN H160	1800	140	1000	60	100	1600	2450	680

## DATA SHEET - GALVANIZED SELF BALANCING CRANE FORK

---

Crane forks





### Galvanized self balancing crane fork

#### Galvanized fixed crane fork with spring balancing

The non-adjustable crane fork with spring balancing, in its galvanized version, retains all the efficient characteristics of the base model while offering the additional benefits of galvanization. Galvanization provides extra protection against corrosion and wear, making the crane fork more resistant to adverse weather conditions and extending its lifespan. With a useful lifting height up to 1600 mm and a capacity of 1800 kg, this galvanized version is recommended for construction cranes and environments requiring greater resistance to atmospheric agents. All our crane forks are built and tested according to UNI EN 13155, UNI EN ISO 12100, UNI EN 13854, ISO 8686, and UNI EN 10204 standards and are issued with the appropriate metal ID plate, certificate of conformity, and user and maintenance manual. All our products are covered by a one-year warranty (European Directive).

#### Application sectors

 Construction  Lifting