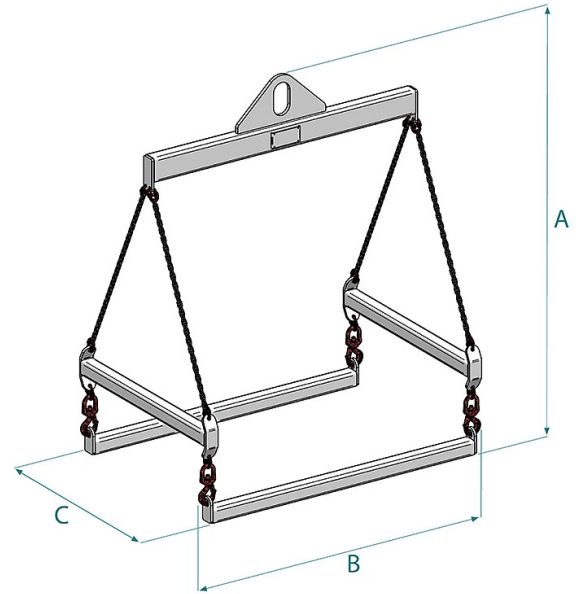


DATA SHEET - IBC & PALLET LIFTER



Code	Capacity (kg)	Weight (kg)	Dimensions (mm)		
			A	B	C
PLS-2	2000	60	1555	1260	860

DATA SHEET - IBC & PALLET LIFTER

Industrial lifting



IBC & Pallet Lifter

Lyfting system for IBC & Pallet made of lifting beams

The **PLS model** is designed to ensure maximum efficiency and safety in lifting pallets and IBC containers. Developed for the industrial and logistics sectors, this accessory offers stability and precision in every lifting operation.

Its robust and durable structure makes it ideal for those seeking reliable and practical equipment. Compatible with various lifting systems, the **PLS model** is essential for improving productivity and reducing risks associated with handling specific and hazardous loads.

Main features:

- **High-quality materials:** Made of durable steel, ensuring long-lasting reliability.
- **Ease of use:** The intuitive design allows for quick installation and efficient operation.
- **Safety regulations:** In addition to meeting production standards, it complies with stringent safety standards, ensuring operator protection and adherence to local and international regulations.
- **Customization:** Possibility of tailored modifications to adapt the system to specific needs.

Optimize your handling operations with the **PLS lifting beam kit**, the ideal choice for those seeking practicality and safety in lifting pallets and IBC containers. All equipment is **CE certified** and comes with a user and maintenance manual. Upon request, we can provide a calculation report signed by a certified engineer.

Application sectors

 Lifting