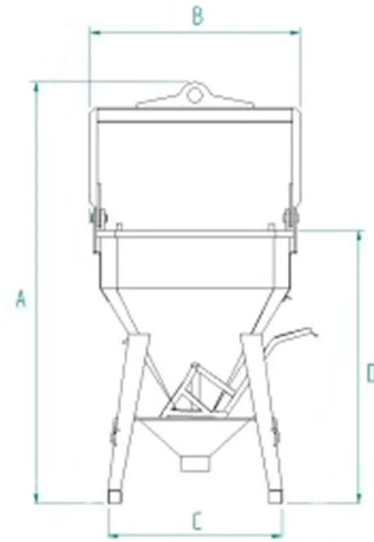


DATA SHEET - CONCRETE COLUMN SKIP WITH RUBBER HOSE AND LEVERED OPENING



Code	Capacity (kg)	Capacity (L)	Weight (kg)	Dimensions (mm)			
				A	B	C	D
BCE-40	1040	400	220	2287	1128	1000	1405
BCE-50	1300	500	230	2387	1128	1000	1505
BCE-60	1560	600	250	2487	1128	1000	1605
BCE-80	2080	800	315	2710	1447	1200	1615
BCE-99	2600	1000	330	2807	1447	1200	1712
BCE-125	3250	1250	395	2908	1447	1200	1885
BCE-150	3900	1500	410	3048	1647	1300	1925
BCE-175	4550	1750	425				
BCE-200	5200	2000	520	3290	1647	1300	2135
BCE-250	6500	2500	620	2008	1780	1780	1927
BCE-300	7800	3000	670	2183	1780	1780	2102

DATA SHEET - CONCRETE COLUMN SKIP WITH RUBBER HOSE AND LEVERED OPENING

Concrete buckets



Concrete column skip with rubber hose and levered opening

Octagonal concrete bucket with rubber hose and lever opening

The octagonal concrete bucket with lever opening and rubber hose, model BCE, is the ideal choice for precise and reliable pouring in the most demanding construction sites with intensive use. Its design, targeted to meet the needs of the most challenging construction sites, makes it indispensable for accurately pouring large quantities of concrete into formwork, pillars, or slabs, avoiding potential structural problems caused by pouring errors. The bucket is equipped with a guillotine valve operated by a lever. The presence of a spring allows for automatic closure of the discharge, while the rope enables managing and partially opening the bucket valve even at height. The two-meter-long rubber hose, with a diameter of 200 mm, ensures a controlled and precise flow of concrete during the pour. The BCE model features a bale arm that can be modified upon request. All our buckets are built and tested in accordance with the strict standards UNI EN ISO 12100, UNI EN 13854, ISO 8686, UNI EN 10027, and UNI EN 10204. Each product comes with a metal ID plate, a certificate of conformity, and a user and maintenance manual to ensure proper use over time. Additionally, all our products are covered by a one-year warranty, in compliance with the European Directive, and are made with certified materials to ensure durability and safety, meeting the required quality standards in the construction sector.

Application sectors

 Construction