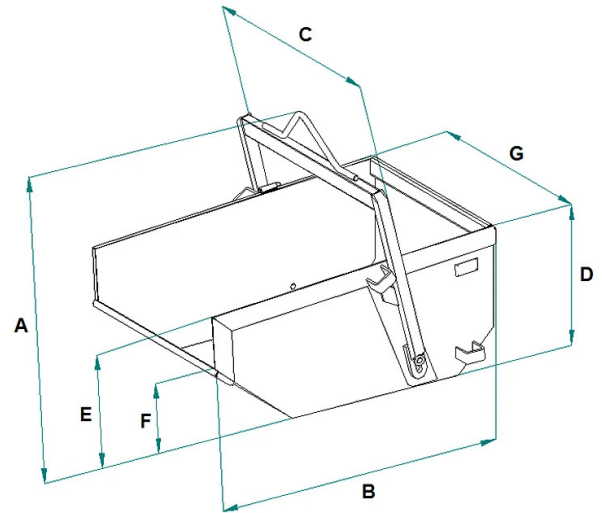


DATA SHEET - ALUMINUM SELF DUMPING BIN



Code	Capacity (kg)	Capacity (L)	Weight (kg)	Dimensions (mm)						
				A	B	C	D	E	F	G
A-30DALU	540	300	35	1013	1200	885	560	470	420	755
A-40DALU	720	400	37	1013	1200	1085	560	470	420	955
A-50DALU	900	500	45	1143	1304	1125	610	510	460	995
A-80DALU	1440	800	70	1323	1520	1145	755	625	575	1035

DATA SHEET - ALUMINUM SELF DUMPING BIN

Boat skips



Aluminum self dumping bin

Aluminium self dumping bin for general muck, rubble and waste removal

This model of aluminum self dumping bin has all the features of the A-D model. Why choose an aluminum bucket? **Lightweight:** Aluminum is a lightweight yet strong material, making it easier to lift and handle the self dumping bin. This is particularly important when working with cranes or lifting equipment that have capacity limits. **Corrosion Resistance:** Aluminum is naturally resistant to corrosion and rust, making it ideal for outdoor applications or in humid environments. Its durability helps to extend the bucket's service life. **Ease of Maintenance:** Aluminum equipment generally require less maintenance than steel ones, as they do not rust. This means you can reduce maintenance costs and efforts over time. **Recyclability:** Aluminum is highly recyclable, making it an eco-friendly choice. When a product reaches the end of its service life, it can be easily recycled to reduce environmental impact. However, it is important to note that the choice between an aluminum and a steel self dumping bin will depend on the specific work requirements and environmental conditions. Before making a choice, it is important to carefully evaluate the project requirements, the equipment used for handling, and the characteristics of the material to be lifted and discharged. All our boat skips are built and tested according to UNI EN ISO 12100, UNI EN 13854, ISO 8686, UNI EN 10027, and UNI EN 10204 standards and come with a metal ID plate, certificate of conformity, and user and maintenance manual. All our products are covered by a one-year warranty (European Directive).

Application sectors

 Construction