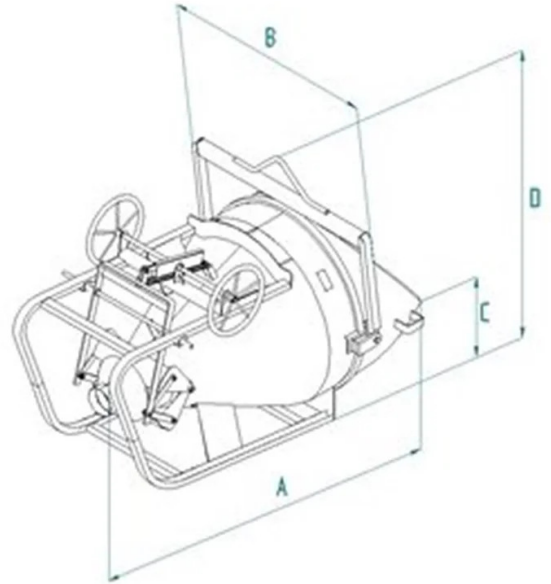


DATA SHEET - LAYDOWN CONICAL CONCRETE KIBBLE WITH GEARED OPENING



Code	Capacity (kg)	Capacity (L)	Weight (kg)	Dimensions (mm)			
				A	B	C	D
BCF-30V	780	300	270	1965	1270	627	1495
BCF-50V	1300	500	280	2098	1270	643	1512
BCF-75V	1950	750	350	2386	1530	763	1780
BCF-99V	2600	1000	375	2570	1530	786	1800
BCF-150V	3900	1500	715	2781	1885	975	2033
BCF-200V	5200	2000	745	3031	1885	975	2033

DATA SHEET - LAYDOWN CONICAL CONCRETE KIBBLE WITH GEARED OPENING

Concrete buckets




Laydown conical concrete kibble with geared opening

Laydown conical concrete bucket with central discharge and wheel opening

We are pleased to present the BCF-V model, a laydown conical bucket designed to offer reliable and versatile performance on your construction site. Equipped with a bivalve opening operated by two handwheels, this bucket boasts a robust and durable design. The presence of a spring allows for automatic closure of the discharge, while a rope enables the bucket to be opened even at height. Thanks to its configuration, which allows for horizontal ground loading, the bucket remains very low at the edge, facilitating filling with the concrete mixer and making the process smoother and more efficient in your construction work. The BCF-V model is available in a variety of sizes and capacities and can be customized with a lever opening and the addition of a rubber hose to meet your specific needs. All our buckets are built and tested in accordance with the strict standards UNI EN ISO 12100, UNI EN 13854, ISO 8686, UNI EN 10027, and UNI EN 10204. Each product comes with a metal ID plate, a certificate of conformity, and a user and maintenance manual to ensure proper use over time. Additionally, all our products are covered by a one-year warranty, in compliance with the European Directive.

Application sectors

 Construction