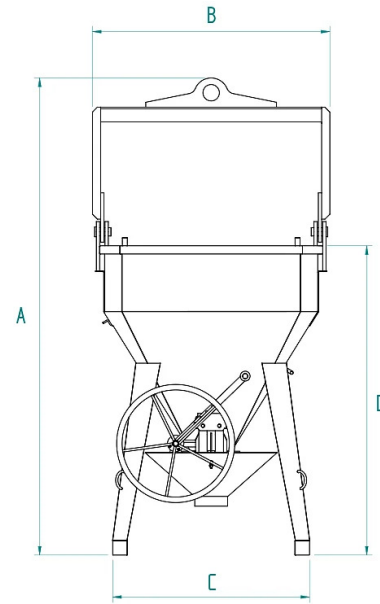



## DATA SHEET - CONCRETE COLUMN SKIP WITH RUBBER HOSE AND GEARED OPENING



Code	Capacity (kg)	Capacity (L)	Weight (kg)	Dimensions (mm)			
				A	B	C	D
BCE-40V	1040	400	220	2287	1128	1000	1450
BCE-50V	1300	500	230	2387	1128	1000	1505
BCE-60V	1560	600	250	2487	1128	1000	1605
BCE-80V	2080	800	315	2710	1447	1200	1615
BCE-99V	2600	1000	330	2807	1447	1200	1712
BCE-125V	3250	1250	395	2908	1447	1200	1885
BCE-150V	3900	1500	410	3048	1647	1300	1925
BCE-175V	4550	1750	425				
BCE-200V	5200	2000	520	3290	1647	1300	2135
BCE-250V	6500	2500	620	2008	1780	1780	1927
BCE-300V	7800	3000	670	2183	1780	1780	2102

**DATA SHEET - CONCRETE COLUMN SKIP WITH RUBBER HOSE AND GEARED OPENING****Concrete buckets****Concrete column skip with rubber hose and geared opening****Octagonal concrete bucket with rubber hose and wheel opening**

The octagonal concrete bucket model BCE-V, featuring a bivalve opening operated by a double handwheel and rubber hose, is the ideal choice for precise and reliable pouring on the most demanding construction sites with intensive use. Its design tailored to the needs of challenging construction sites makes it indispensable for accurately pouring large quantities of concrete into formworks, pillars, or foundations, thus avoiding potential structural issues from casting errors. The bucket is equipped with a bi-valve closing valve, operated by a lever. A spring ensures automatic closure of the discharge, while a rope allows for controlled and partial opening of the bucket valve even at height. The two-meter rubber hose, with a diameter of 200 mm, ensures a controlled and precise flow of concrete during pouring. The BCE-V model features an adjustable bale arm upon request. All our buckets are manufactured and tested in compliance with stringent standards: UNI EN ISO 12100, UNI EN 13854, ISO 8686, UNI EN 10027, and UNI EN 10204. Each product is accompanied by a metal ID plate, conformity certificate, and user and maintenance manual to ensure correct usage over time. Furthermore, all our products are covered by a one-year warranty, in compliance with the European Directive.

**Application sectors** **Construction**