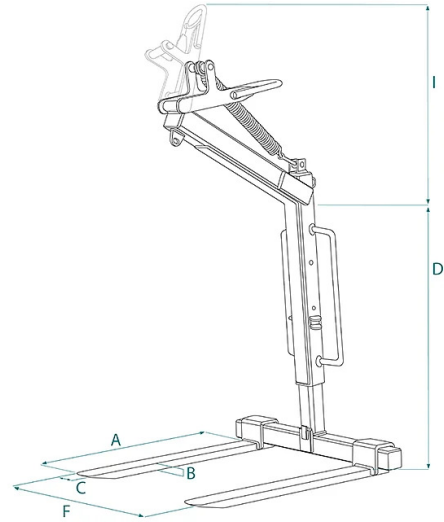


DATA SHEET - GALVANIZED SELF LEVELLING CRANE FORK WITH TELESCOPIC HEIGHT



Code	Capacity (kg)	Weight (kg)	Dimensions (mm)					
			A	B	C	D	F	I
MBRA-10ZN	1000	120	1000	25	90	1000-1450	350-1000	600
MBRA-15ZN	1500	160	1000	30	90	1000-1450	350-1000	600
MBRA-20ZN	2000	175	1000	35	100	1200-1800	350-1000	600
MBRA-25ZN	2500	245	1000	40	90	1200-1800	350-1000	600
MBRA-30ZN	3000	255	1000	35	120	1200-1800	350-1000	600

DATA SHEET - GALVANIZED SELF LEVELLING CRANE FORK WITH TELESCOPIC HEIGHT

Crane forks



Galvanized self levelling crane fork with telescopic height

Galvanized crane fork with adjustable height spring balancing

This crane fork model features all the characteristics of the MBRA model, except for the finish, which includes hot-dip galvanization. Why choose a galvanized fork? Here are some advantages: Corrosion Protection: Hot-dip galvanization provides a durable coating that protects the crane fork from oxidation and corrosion. This is particularly important for equipment used in outdoor environments or exposed to adverse weather conditions. Durability: Hot-dip galvanization enhances the strength of the crane fork, contributing to greater longevity. Galvanized forks are more robust and better able to withstand mechanical stress, reducing the likelihood of deformation or damage. Low Maintenance: Galvanized forks generally require less maintenance compared to untreated ones. Corrosion resistance reduces rust formation and simplifies cleaning and maintenance operations. Versatility of Applications: Hot-dip galvanized crane forks are suitable for a wide range of applications, including lifting in industrial, construction, or maritime environments. Their strength and corrosion protection make them suitable for challenging environmental conditions. Professional Appearance: The hot-dip galvanized finish gives a cleaner and more professional appearance to the tool. All our crane forks are constructed and tested according to UNI EN 13155, UNI EN ISO 12100, UNI EN 13854, ISO 8686, and UNI EN 10204 standards and are issued with the appropriate metal ID plate, conformity certificate, and user and maintenance manual. All our products are covered by a one-year warranty (European Directive)

Application sectors

 Construction  Lifting