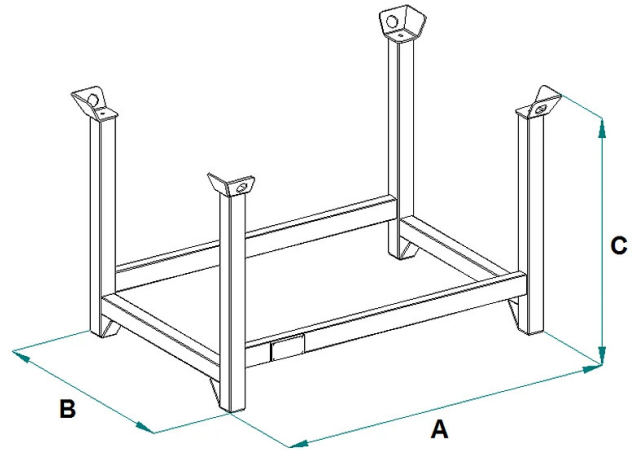


DATA SHEET - GALVANIZED STILLAGE FOR PROPS



Code	Capacity (kg)	Weight (kg)	Dimensions (mm)		
			A	B	C
PPE-12ZN	1000	35	1200	800	750
PPE-15ZN	1000	36	1500	1000	750

DATA SHEET - GALVANIZED STILLAGE FOR PROPS

Crane accessories



Galvanized stillage for props

Galvanized stacking stillages with uprights

Discover the practicality and solidity of our prop stand holder. This handy device is composed of square tubes that provide robustness and stability, wide feet that ensure a solid and secure base, and crane eyes for easy handling. Ideal for construction sites, warehouses, and other work areas, our prop stand holder is designed to simplify the process of handling and storing various types of prop stands. This product is built and tested according to UNI EN ISO 12100, UNI EN 10027-1, and UNI EN 10204 standards and is issued with the appropriate metal label and certificate of conformity. All our products are covered by a one-year warranty (European Directive).

Application sectors

 Construction  Industry